

PRX-100 Series

Heavy Duty, General Purpose

- Easy to install
- No standby power requirements
- Reliable for over 1 million cycles
- Interchangeable with existing sensors
- Hermetically sealed for longer performance

Specifications

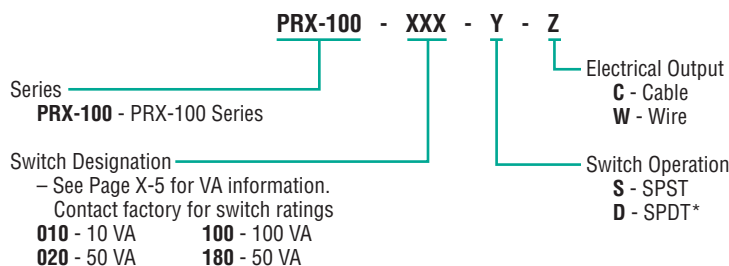
Housing Material	Norel (Polyphenylene Oxide - Styrene)
Operating Temperature	-40°F to +194°F (-20°C to +90°C)
Pressure	Atmospheric
Approvals	cULus File # E305671

Typical Applications

- General Purpose
- Household Appliances
- Security systems
- Door interlocks
- Safety interlocks
- Position indication
- Equipment automation

How To Order – Two Steps: Select Switch and Magnet

Step 1: Configure Switch Part Number from options below.



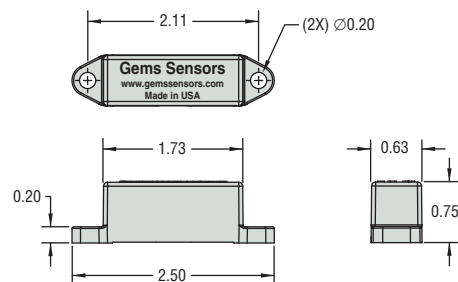
Example: PRX-100-020-D-W

Step 2: Select an Actuating Magnet to pair with Switch.

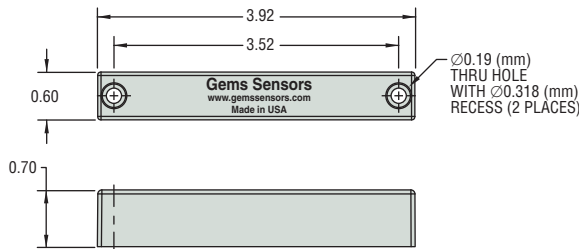
PRX-100 Series actuating magnets are available in both housed assemblies and as bare magnets (See Page K-5).

Configuration

Type 1 Assembly



Type 2 Assembly



How to Order

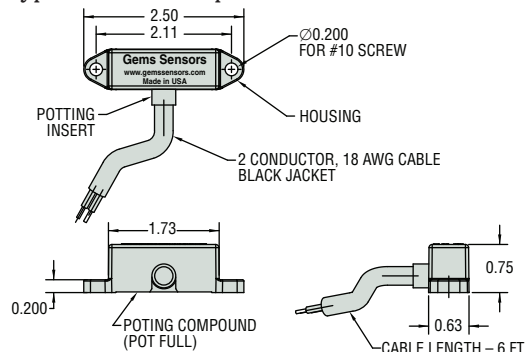
Magnets for the above Proximity Switches are ordered separately. Select by Configuration, Magnet Type and Size.

Configuration	Magnet Type	Magnet Size		Part Number
		A – Length	B – Diameter	
Type 1 Assembly	Alnico 5	1.5" (38.1 mm)	3/8" (9.5 mm)	217302
	Neo N35H	1.5" (38.1 mm)	3/8" (9.5 mm)	217310
Type 2 Assembly	Alnico 5	2.5" (63.5 mm)	3/8" (9.5 mm)	217301
	Alnico 5	1.5" (38.1 mm)	3/8" (9.5 mm)	222055
	Neo N35H	1.5" (38.1 mm)	3/8" (9.5 mm)	222056



Dimensions

Type C – Cable Output



Type W – Wire Output

